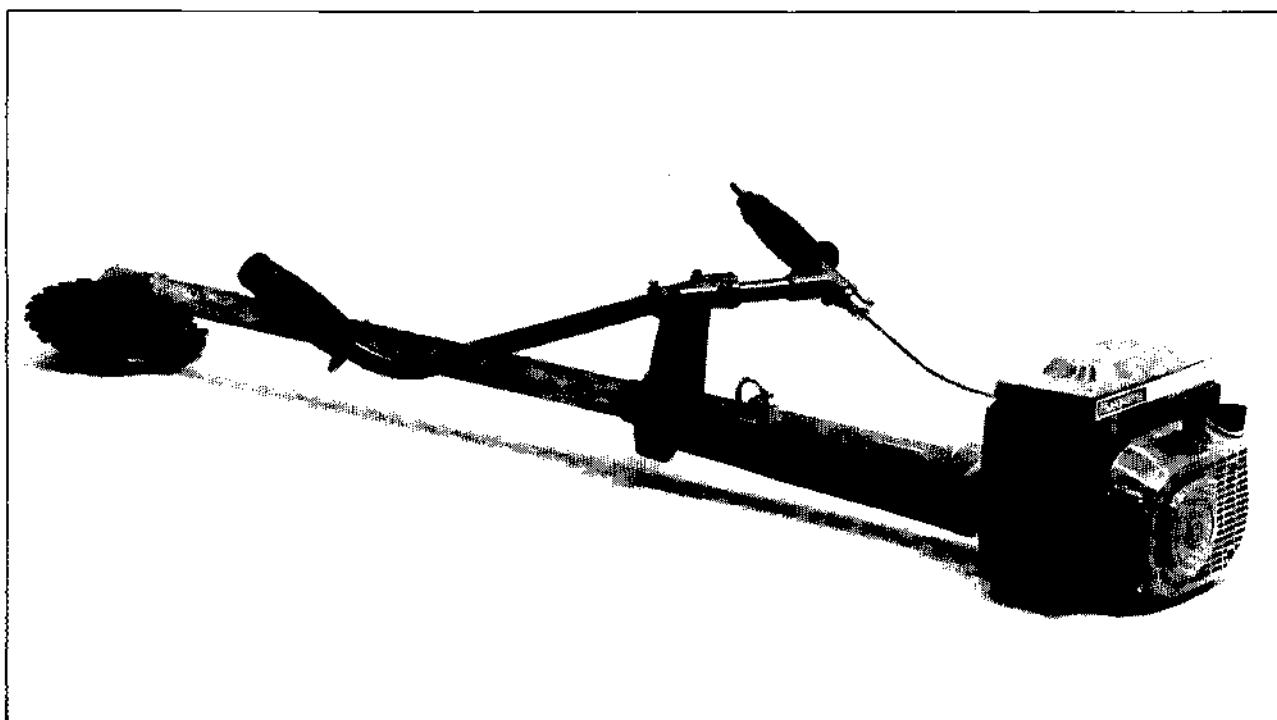


# 165R



**1. 1982**

**Reservdelar**

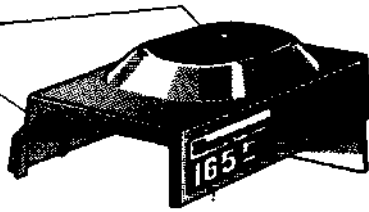
**Spare parts**

**Ersatzteile**

**Pièces de rechange**

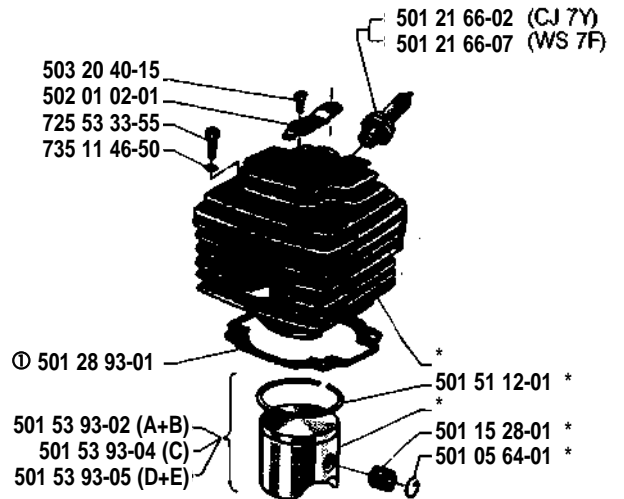
**A**

502 01 26-01  
502 00 25-01



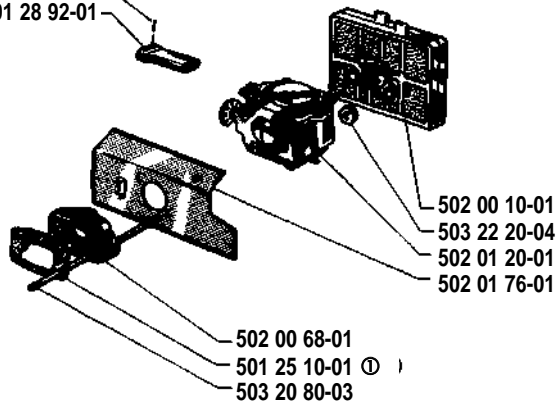
**B**

\* compl 501 41 78-01



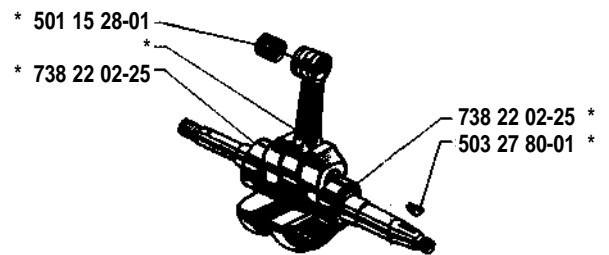
**C**

502 01 36-01  
501 28 92-01



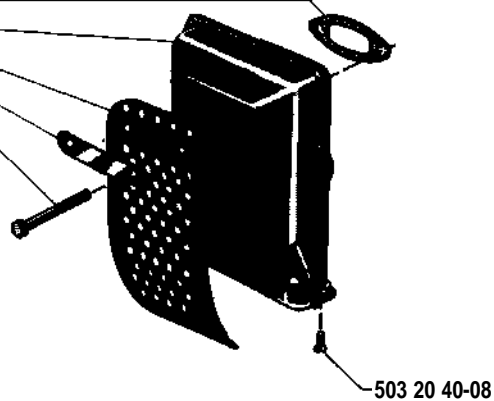
**F**

\* compl 501 55 61-02



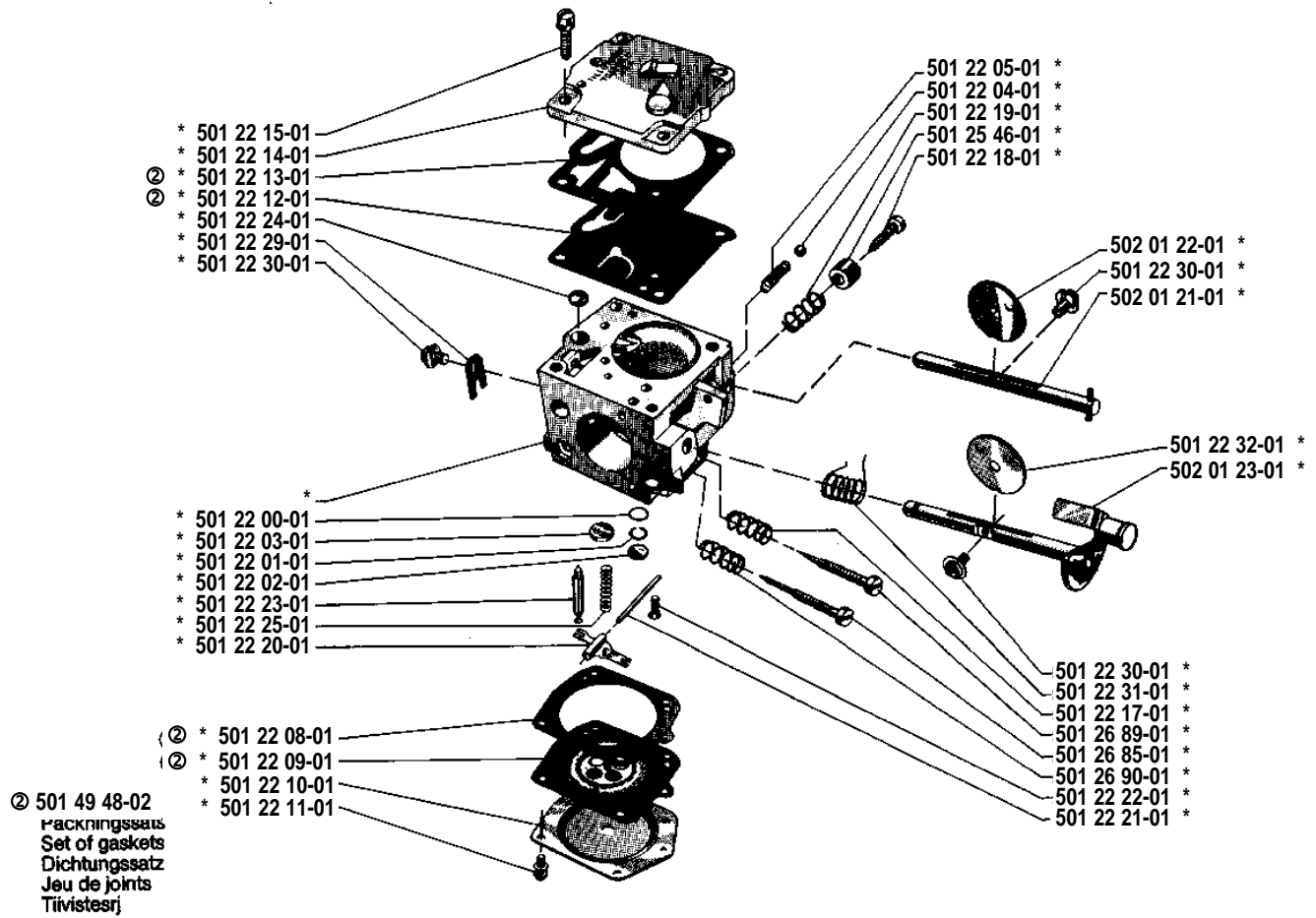
**E**

⊙ 501 25 21-01  
502 00 27-01  
502 01 46-01  
502 01 66-01  
725 23 82-55

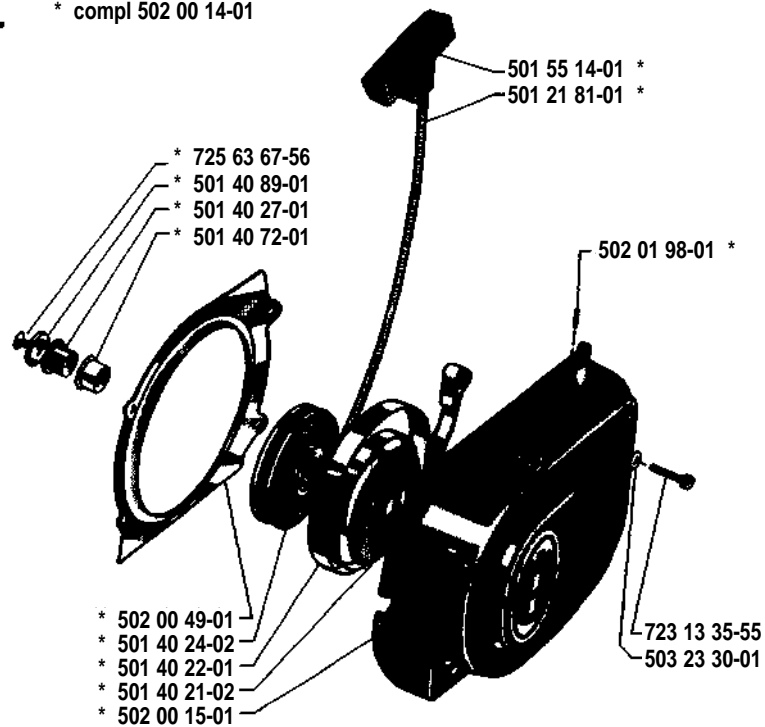


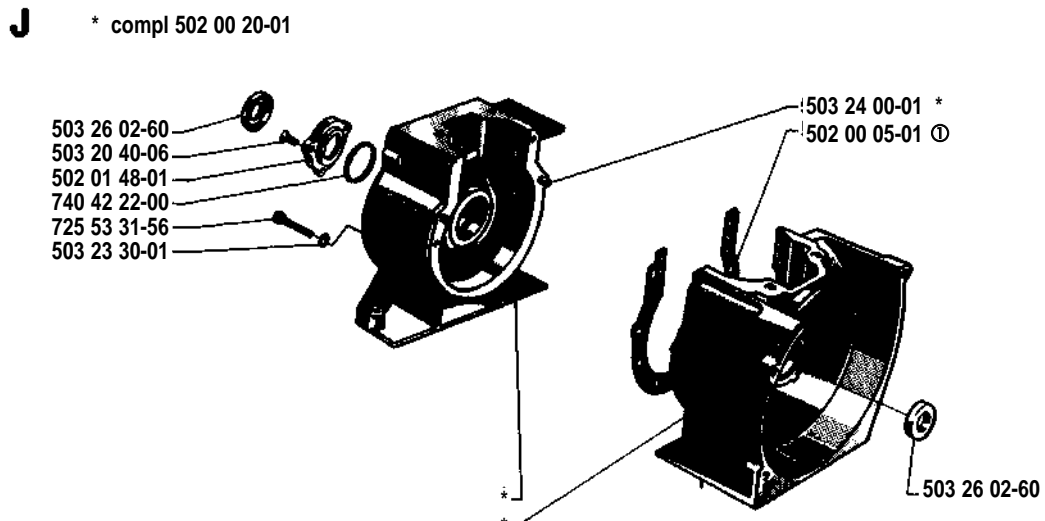
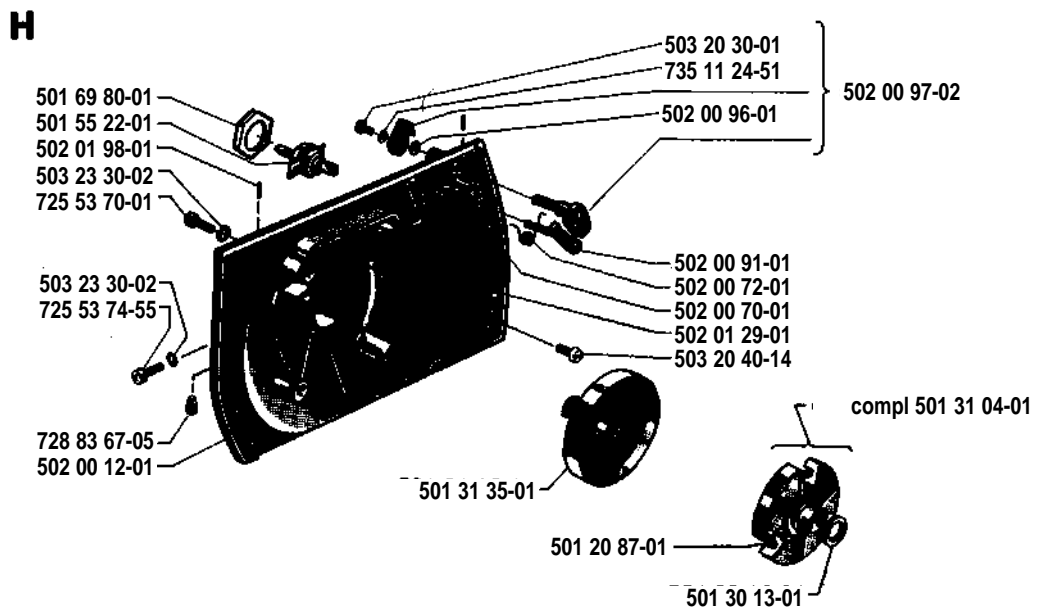
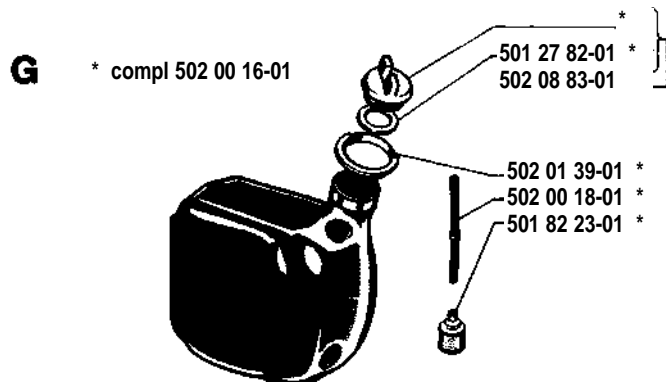
**D** \* compl 502 01 20-01

**Tillotson HS 121 A**

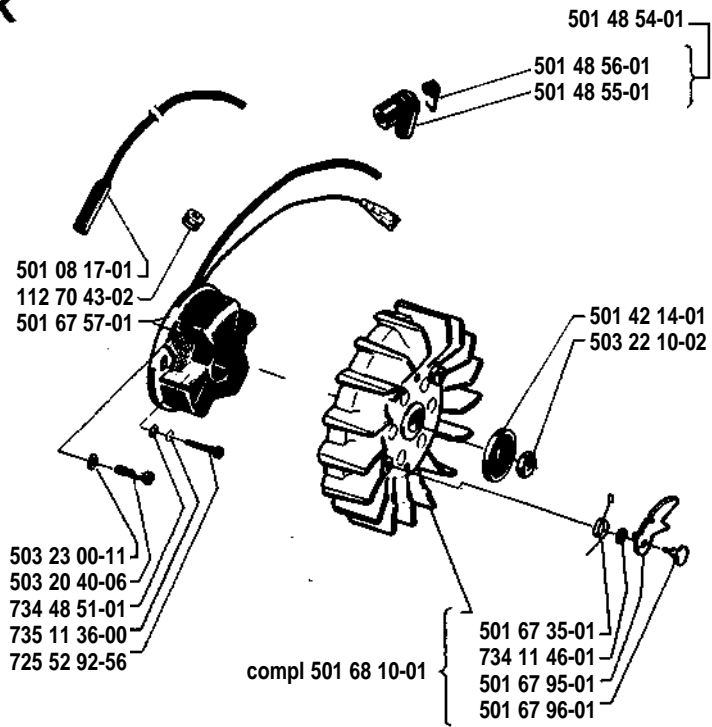


**L** \* compl 502 00 14-01



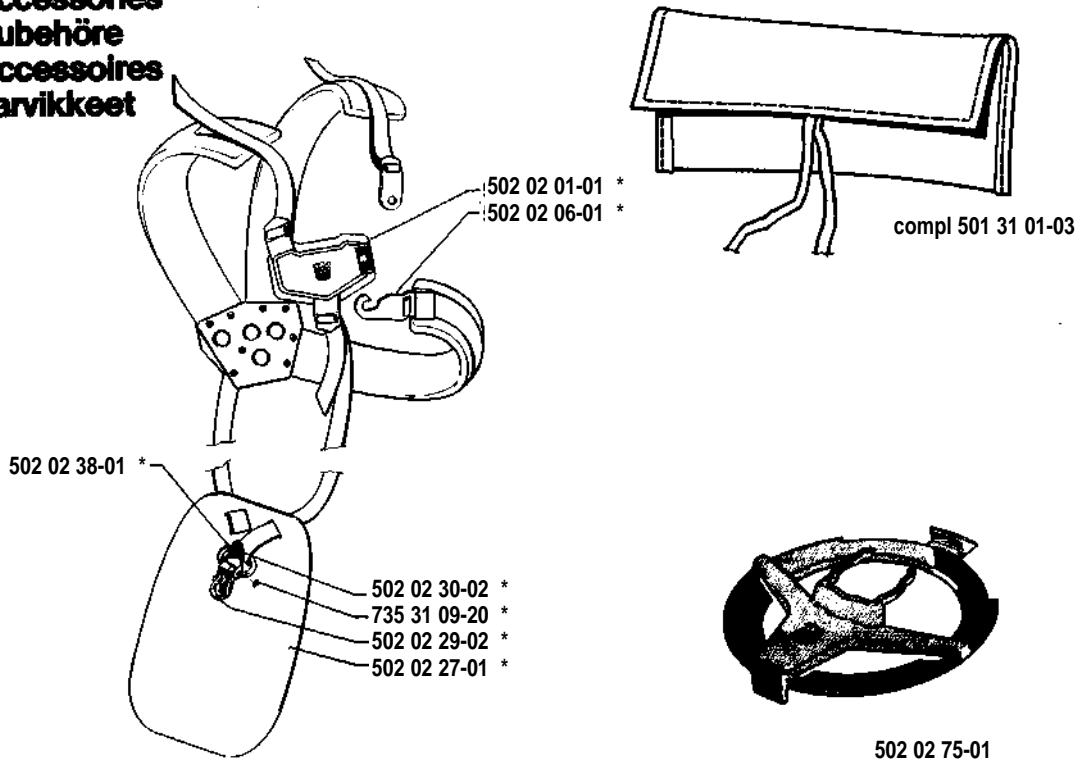


**K**



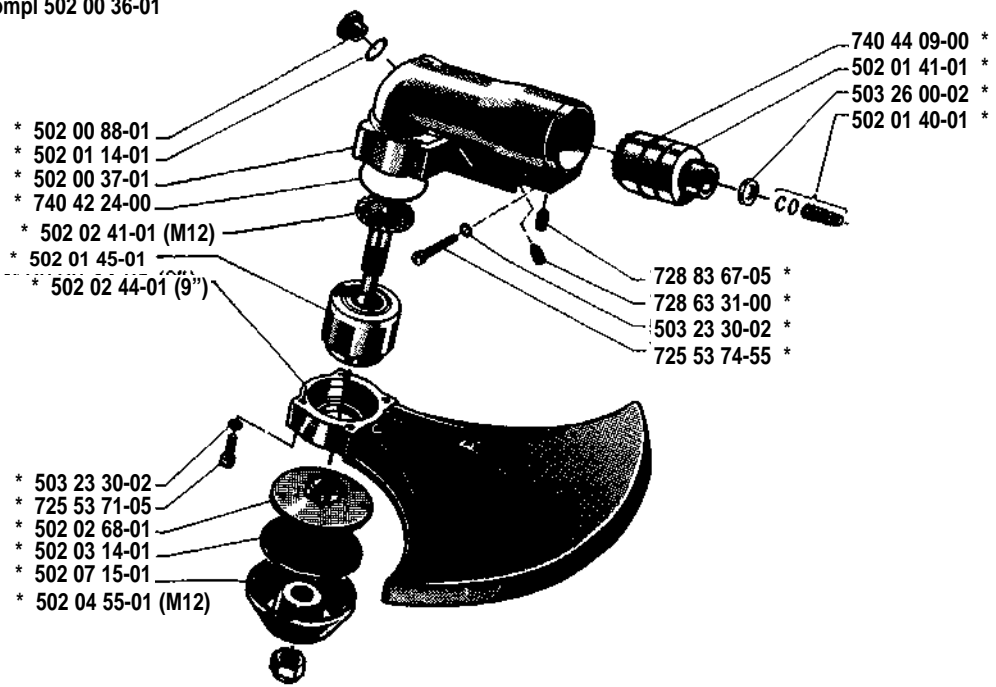
**P**

**Tillbehör  
Accessories  
Zubehöre  
Accessoires  
Tarvikkeet**

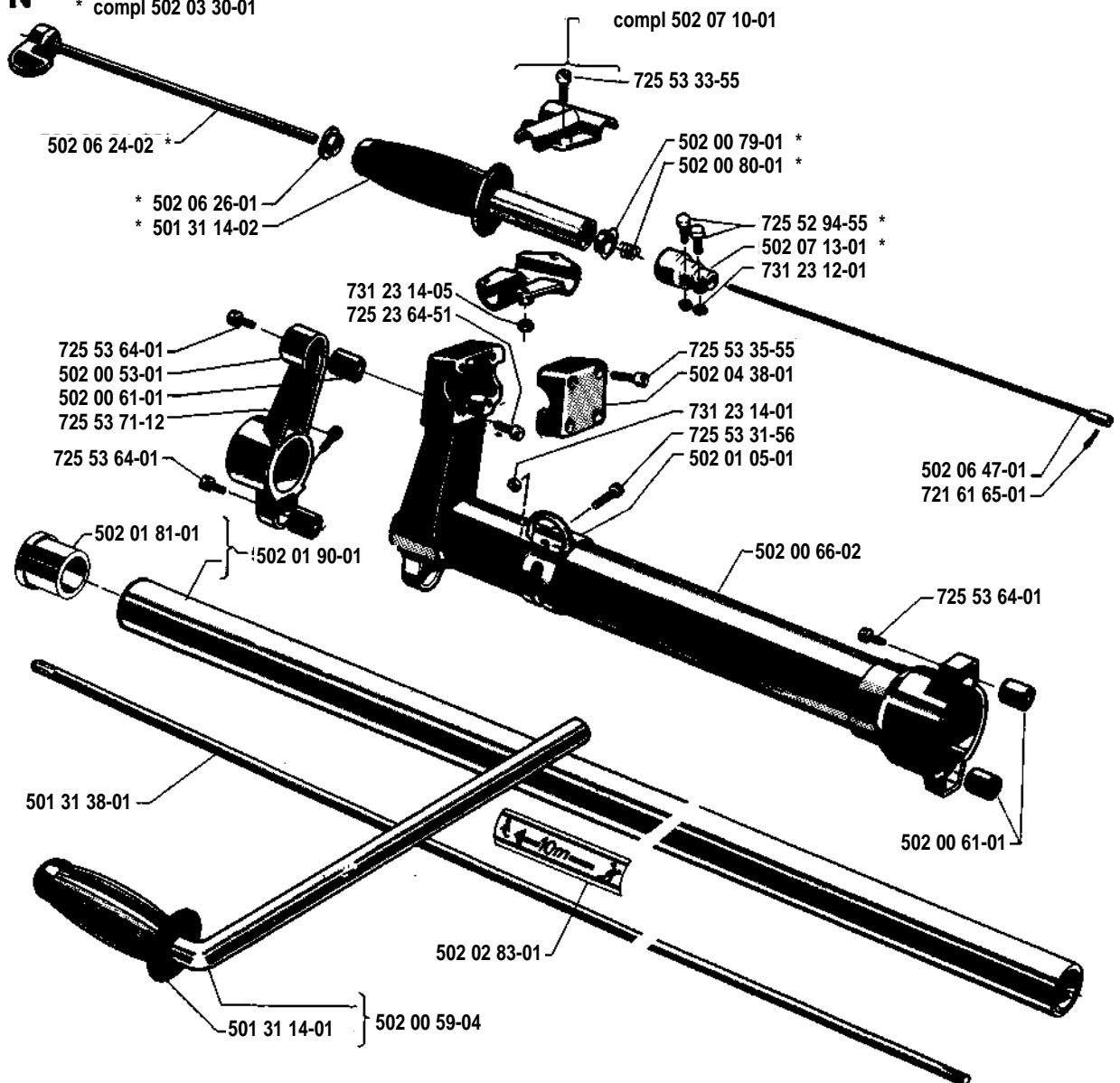


\* compl 502 02 00-01

**M** \* compl 502 00 36-01



**N** \* compl 502 03 30-01



Beställn.-nummer Part number Best. Nr No de commande Varaosä n:ro	Ruta Box Viereck Carreau Index	Anm. Remarks Anm. Notes Huom	Beställn.-nummer Part number Best. Nr No de commande Varaosä n:ro	Ruta Box Viereck Carreau Index	Anm. Remarks Anm. Notes Huom	Beställn.-nummer Part number Best. nr No de commande Varaosä n:ro	Ruta Box Viereck Carreau Index	Anm. Remarks Anm. Notes Huom
112 70 43-02	K		501 53 93-04	B		502 02 30-02	P	
501 05 64-01	B		501 53 93-05	B		502 02 38-01	P	
501 08 17-01	K		501 55 14-01	L		502 02 41-01	M	
501 15 28-01	B, F		501 55 22-01	H		502 02 44-01	M	
501 20 87-01	H		501 55 61-02	F		502 02 68-01	M	
501 21 66-02	B		501 67 35-01	K		502 02 75-01	P	
501 21 66-07	B		501 67 57-01	K		502 02 83-01	N	
501 21 81-01	L		501 67 95-01	K		502 03 14-01	M	
501 22 00-01	D		501 67 96-01	K		502 03 30-01	N	
501 22 01-01	D		501 68 10-01	K		502 04 55-01	M	
501 22 02-01	D		501 69 80-01	H		502 04 38-01	N	
501 22 03-01	D		501 82 23-01	G		502 06 24-02	N	
501 22 04-01	D		502 00 05-01	J	①	502 06 26-01	N	
501 22 05-01	D		502 00 10-01	C		502 06 47-01	N	
501 22 08-01	D	②	502 00 12-01	H		502 07 10-01	N	
501 22 09-01	D	②	502 00 14-01	L		502 07 13-01	N	
501 22 10-01	D		502 00 15-01	L		502 07 15-01	M	
501 22 11-01	D		502 00 16-01	G		502 08 83-01	G	
501 22 12-01	D	②	502 00 18-01	G		503 20 30-01	H	
501 22 13-01	D	②	502 00 20-01	J		503 20 40-06	J, K	
501 22 14-01	D		502 00 25-01	A		503 20 40-08	E	
501 22 15-01	D		502 00 27-01	E		503 20 40-14	H	
501 22 17-01	D		502 00 36-01	M		503 20 40-15	B	
501 22 18-01	D		502 00 37-01	M		503 20 80-03	C	
501 22 19-01	D		502 00 49-01	L		503 22 10-02	K	
501 22 20-01	D		502 00 53-01	N		503 22 20-04	C	
501 22 21-01	D		502 00 59-04	N		503 23 00-11	K	
501 22 22-01	D		502 00 61-01	N		503 23 30-01	J, L	
501 22 23-01	D		502 00 66-02	N		503 23 30-02	H, M	
501 22 24-01	D		502 00 68-01	C		503 24 00-01	J	
501 22 25-01	D		502 00 70-01	H		503 26 00-02	M	
501 22 29-01	D		502 00 72-01	H		503 26 02-60	J	
501 22 30-01	D		502 00 79-01	N		503 27 80-01	F	
501 22 31-01	D		502 00 80-01	N		721 61 65-01	N	
501 22 32-01	D		502 00 88-01	M		723 13 35-55	L	
501 25 10-01	C	①	502 00 91-01	H		725 23 64-51	N	
501 25 21-01	E	①	502 00 96-01	H		725 23 82-55	E	
501 25 46-01	D		502 00 97-02	H		725 52 92-56	K	
501 26 85-01	D		502 01 02-01	B		725 52 94-55	N	
501 26 89-01	D		502 01 05-01	N		725 53 31-56	J, N	
501 26 90-01	D		502 01 14-01	M		725 53 33-55	B, N	
501 27 82-01	G		502 01 20-01	C, D		725 53 35-55	N	
501 28 92-01	C		502 01 21-01	D		725 53 64-01	N	
501 28 93-01	B	①	502 01 22-01	D		725 53 70-01	H	
501 30 13-01	H		502 01 23-01	D		725 53 71-05	M	
501 31 01-03	P		502 01 26-01	A		725 53 71-12	N	
501 31 04-01	H		502 01 29-01	H		725 53 74-55	H, M	
501 31 14-01	N		502 01 36-01	C		725 63 67-56	L	
501 31 14-02	N		502 01 39-01	G		728 63 31-00	M	
501 31 35-01	H		502 01 40-01	M		728 83 67-05	H, M	
501 31 38-01	N		502 01 41-01	M		731 23 12-01	N	
501 40 21-02	L		502 01 45-01	M		731 23 14-01	N	
501 40 22-01	L		502 01 46-01	E		731 23 14-05	N	
501 40 24-02	L		502 01 48-01	J		734 11 46-01	K	
501 40 27-01	L		502 01 62-01	-	① compl	734 48 51-01	K	
501 40 72-01	L		502 01 66-01	E		735 11 24-51	H	
501 40 89-01	L		502 01 76-01	C		735 11 38-00	K	
501 41 78-01	B		502 01 81-01	N		735 11 46-50	B	
501 42 14-01	K		502 01 90-01	N		735 31 09-20	P	
501 48 54-01	K		502 01 98-01	H, L		738 22 02-25	F	
501 48 55-01	K		502 02 00-01	P		740 42 22-00	J	
501 48 56-01	K		502 02 01-01	P		740 42 24-00	M	
501 49 48-02	D	② compl	502 02 06-01	P		740 44 09-00	M	
501 51 12-01	B		502 02 27-01	P				
501 53 93-02	B		502 02 29-02	P				

① 502 01 62-01  
Packningssats  
Set of gaskets  
Dichtungssatz  
Jeu de joints  
Tiivistysrj